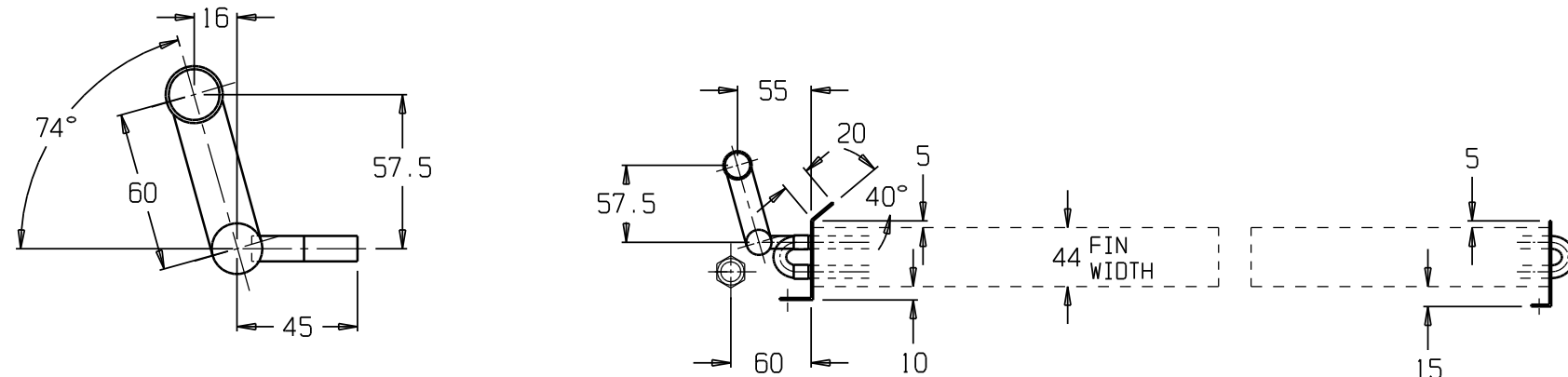
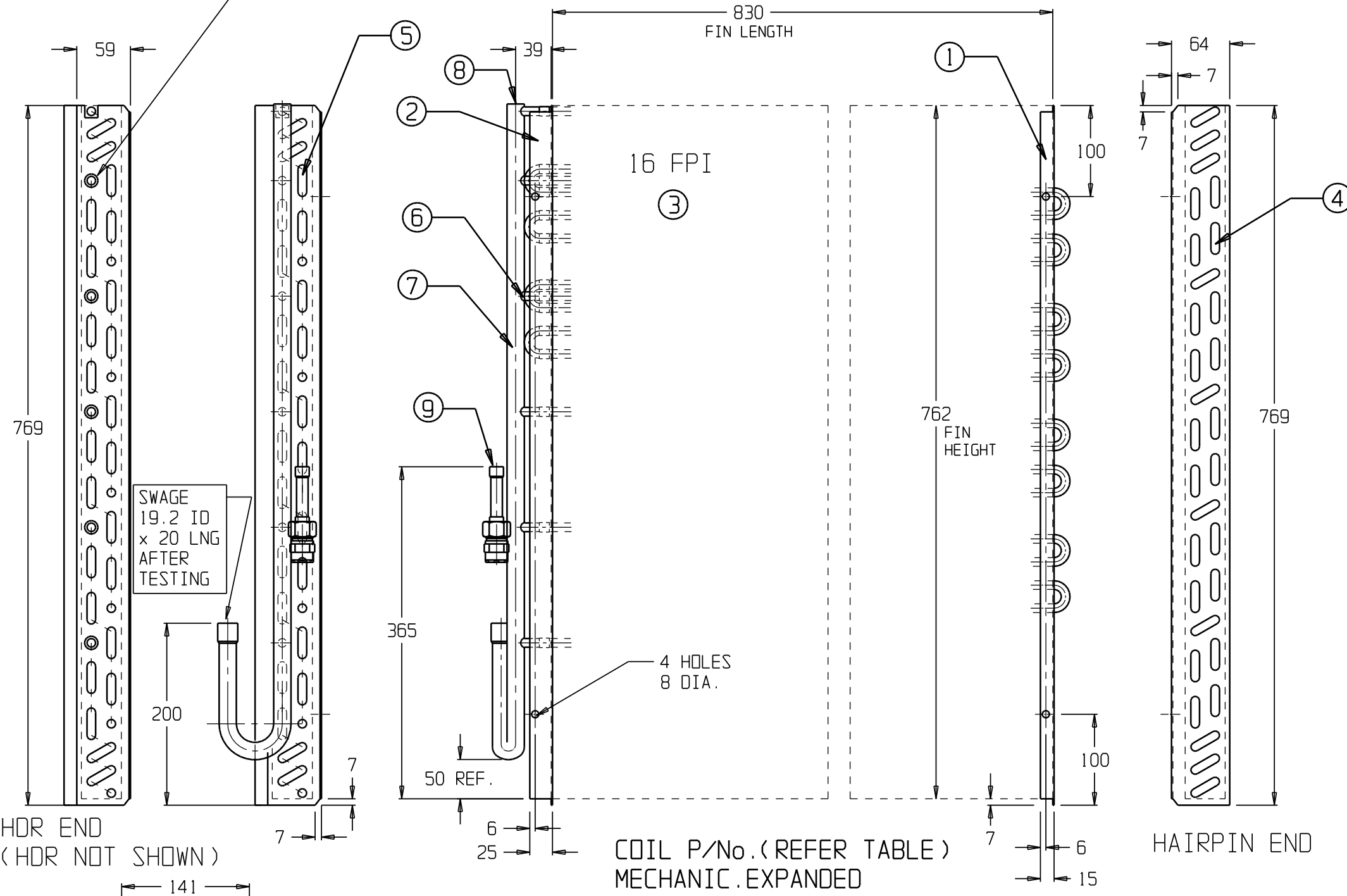


PART No.	FINISH	ISSUE	DATE	DETAILS OF CHANGE	CN No.	CHKD.
31537001	NATURAL	H	7.11.96	DIST'R ROTATED @ 90 DEG.	4170	AK
		I	20.11.96	DIST'R SHOWN WITH TUBE	4226	AK
31537031	KIRBY KOTE	J	13.1.98	CUST P/No IN TITLE BOX WAS PCCK-11	5492	JC
		K	3.3.99	DIST CHANGED TO 3RD GENERATION DIST LOCATION = 365 WAS 380	6621	AK
		L	26.3.99	HEADER TRIMMING NOTE REMOVED	6706	AK
		M	13.10.03	DIM. 45 WAS 35 (HDR LEADS)	14601	.



ITEM : 6, 7  
14.7 DIA HOLES  
FOR HDR LEADS

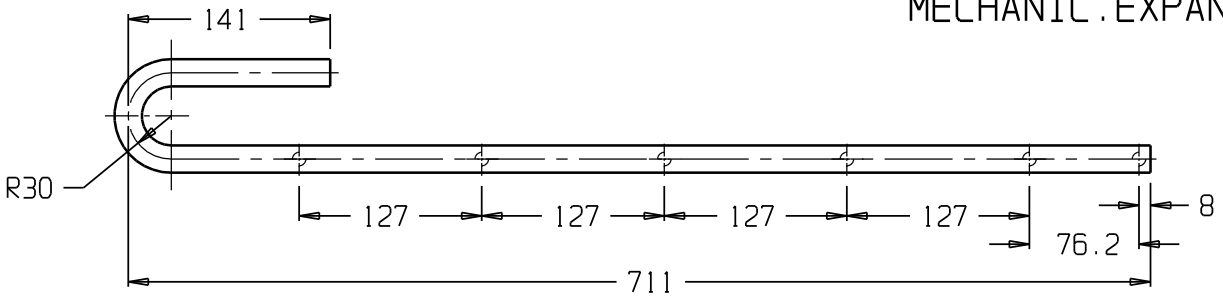
**COIL MAT'L:**  
 END PLATES - 1.6 mm GALV.  
 FINS - 0.120 mm ALUM. CORRUGATED  
 COIL TUBES - CU 9.52 x 0.36 RIFLE BORE  
 HEADER - CU 19.05 x 1.22  
 DISTRIBUTOR - "CHATLEFF 3863 13 032 05"



HDR END  
(HDR NOT SHOWN)

COIL P/No. (REFER TABLE)  
MECHANIC EXPANDED

HAIRPIN END



**TOLERANCES:**  
 FIN LENGTH  
 UP TO 1016 mm ± 1.5  
 1017 mm UP ± 3  
 ALL TUBES +/- 3  
 HOLES ±0.1 S/METAL ONLY  
 FLAT PATTERN +/- 0.5 C/SIZE (S/M)  
 FOLDS +/- 0.5/FOLD

**IMPORTANT**  
 BEFORE USING THIS PRINT FOR PRODUCTION MAKE SURE THAT BOTH THE DRG. NO. AND ISSUE AGREE WITH THE PURCHASE ORDER.  
 TWO SAMPLES TO BE APPROVED BY KIRBY REFRIGERATION PTY. LTD.  
 THIS PRINT IS ON LOAN ONLY AND MUST NOT BE USED IN ANY MANNER DETRIMENTAL TO THE INTERESTS OF KIRBY REFRIGERATION PTY. LTD.

**UNLESS OTHERWISE SPECIFIED**  
 1. PROJECTION (3rd ANGLE)  
 2. DIMENSIONS IN MILLIMETRES.  
 3. DO NOT SCALE  
 4. REMOVE BURRS AND SHARP CORNERS

**GENERAL TOLERANCES**  
 WHOLE NUMBERS  
 1 DECIMAL PLACE  
 2 DECIMAL PLACES  
 ANGLES and SQUARENESS

CUSTOMER		ACTRON AIR	
		1020-002	
DRAWN	A. KARMID	FINISH	SEE TABLE
CHECKED		PART No.	REFER TABLE
APPROVED		SUPERSEDES	
DATE	30.3.95	NEXT ASSY.	FINAL

KIRBY REFRIGERATION	
A Division of Jones N. Kirby Pty. Limited. 284-310 HORSLEY RD, MILPERRA. P.O. BOX 24, REVESBY, N.S.W. 2212 A.C.N. 000 056 717	
TITLE	PMCC10-01K (3.3HP-3.8HP) COIL 2R 30TH 830FL
SCALE	DRG.No. 31537
A2	1:4
SHEET	1 NEXT 2

Q/No 4758