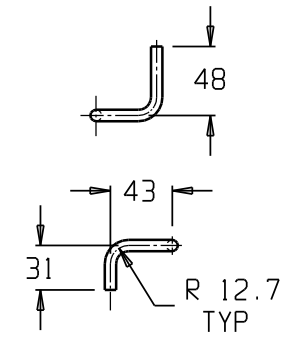
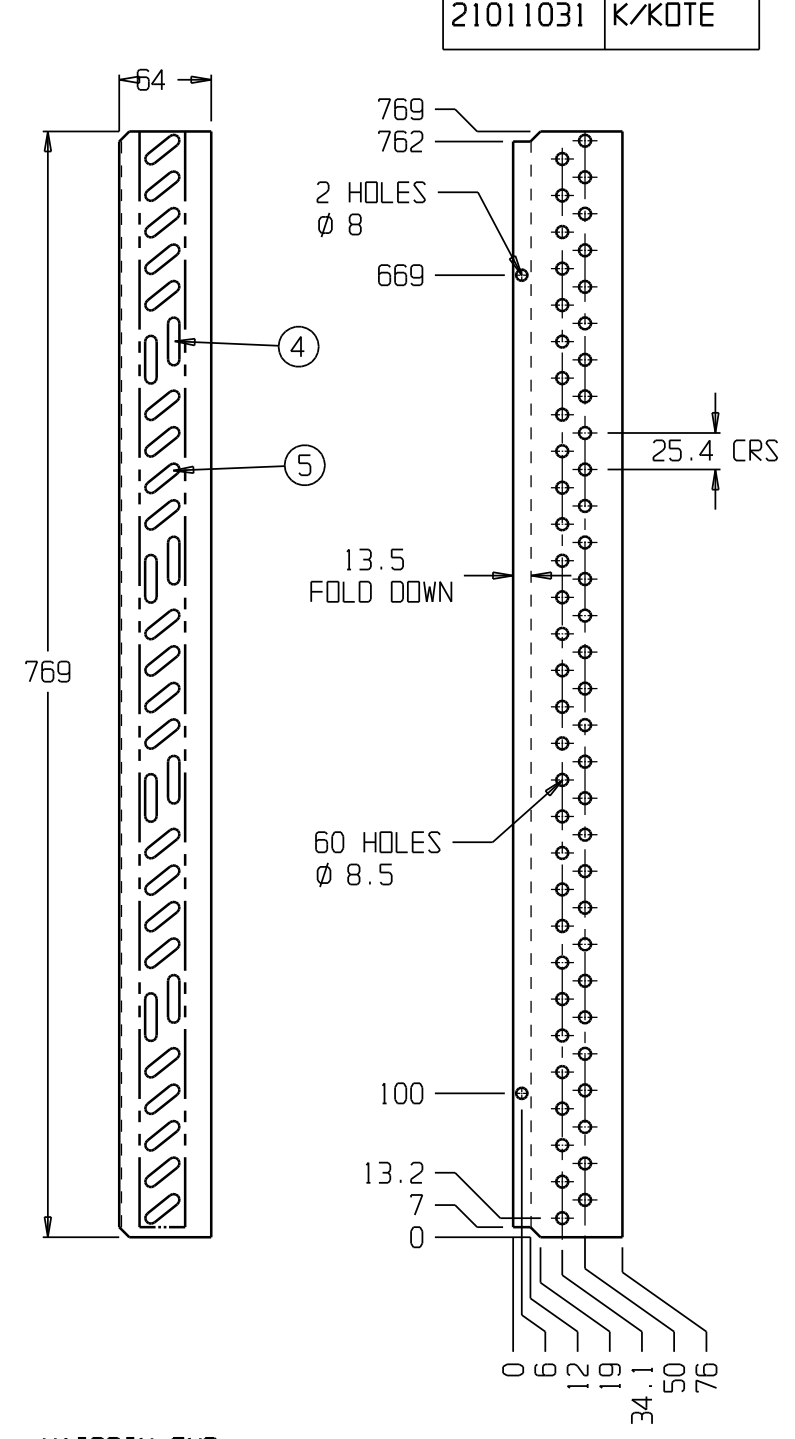
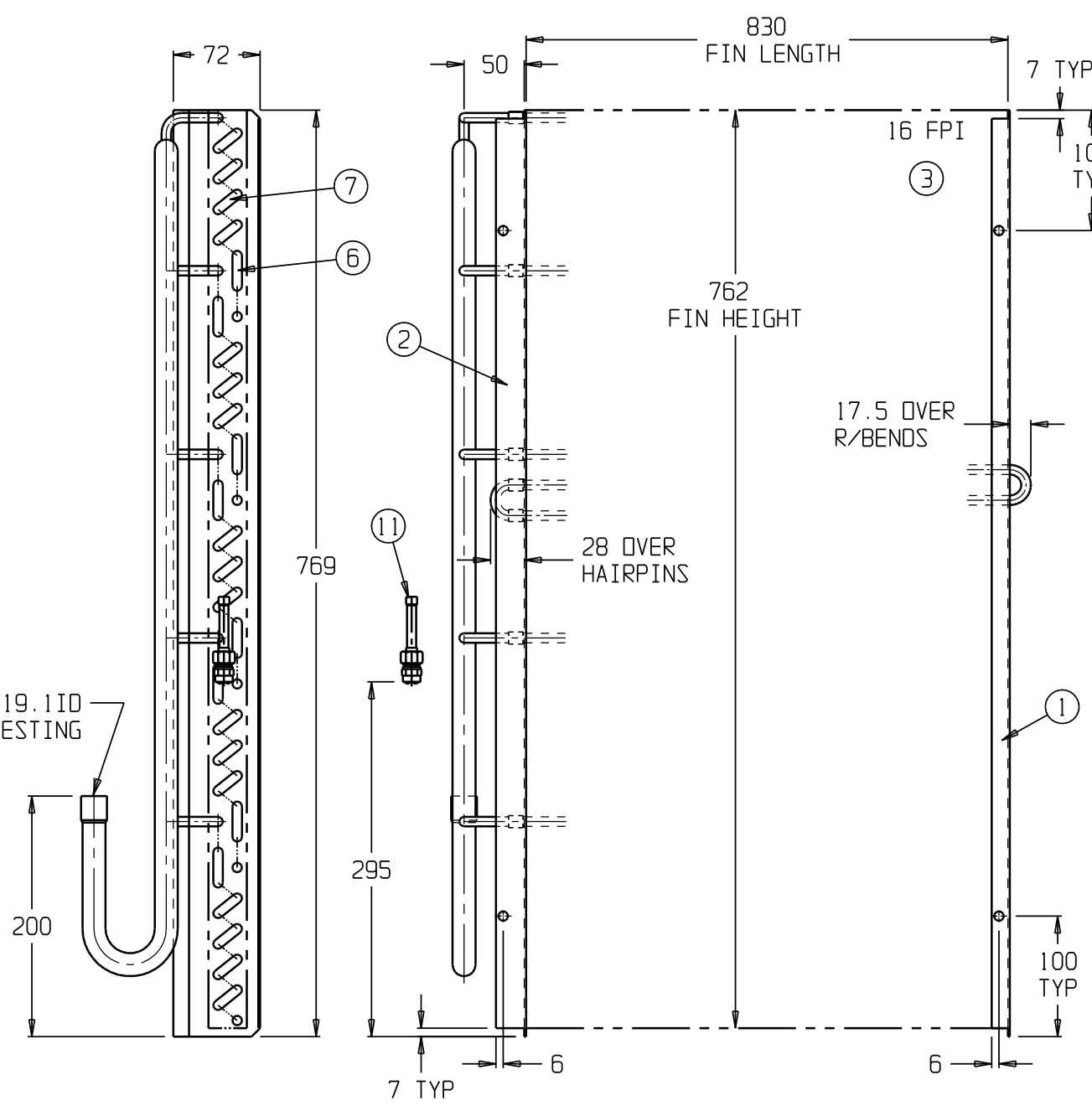
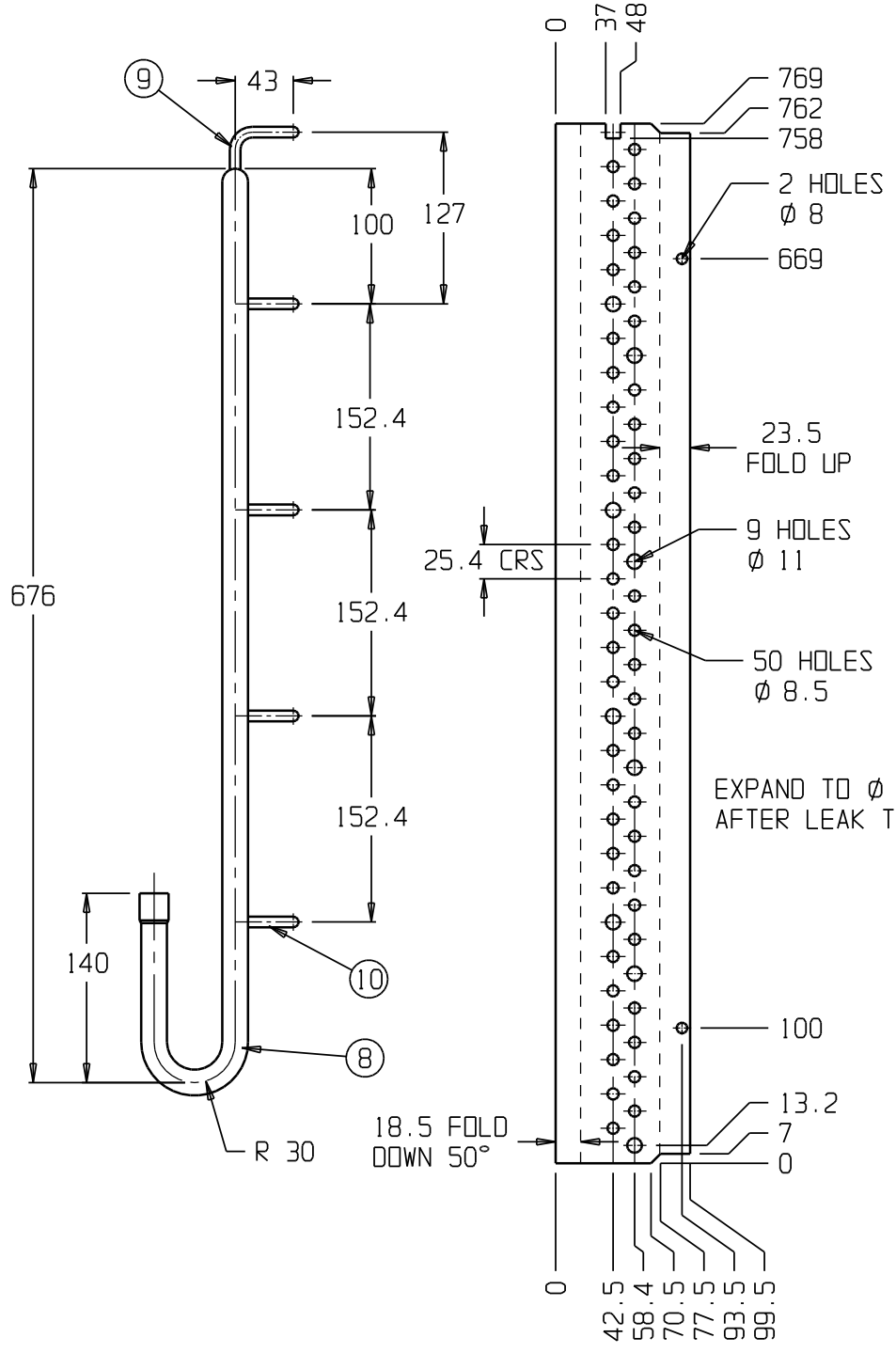
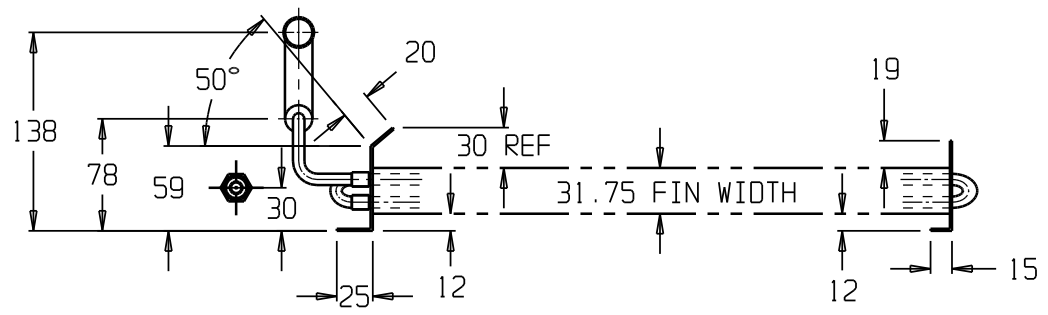
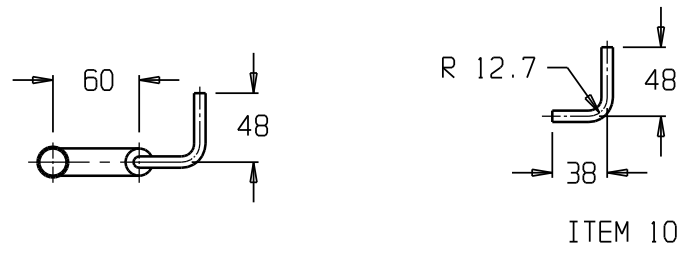


ISSUE	DATE	DETAILS OF CHANGE	CN No.	CHKD
A	18.01.00	PRDD. RELEASE	7768	AK
B	03.07.00	E/P RH, FOLD DOWN WAS UP, 13.5 FOLD WAS 12.5. E/P LH 23.5 FOLD WAS 22.5.	8299	AK
C	21.07.00	DIST. DIMENSIONED DIFFERENTLY	8392	AK
D	19.04.01	PRDD. RELEASE -031	10017	AK
E	23.09.04	DIM CORRECTED 138 WAS 128	29626	

PART No	FINISH
21011001	NATURAL
21011031	K/KOTE



- MATERIALS :**
- FRAME - 1.0 mm ALUM.
 - FINS - 0.120 ALUM. CORRUGATED
 - COIL TUBE - CU 7.94 x 0.36 R/BORE
 - HEADER - CU 19.05 x 0.91
 - DISTRIBUTOR - CHATLEFF 3863-13 36-05

- TOLERANCES :**
- FIN LENGTH UP TO 1016 mm ± 1.5
 - 1017 mm UP ± 3
 - ALL TUBES +/- 3
 - HOLES ± 0.1
 - FLAT PATTERN +/- 0.5
 - FOLDS +/- 0.5/FOLD

IMPORTANT
BEFORE USING THIS PRINT FOR PRODUCTION MAKE SURE THAT BOTH THE DRG. NO. AND ISSUE AGREE WITH THE PURCHASE ORDER.
TWO SAMPLES TO BE APPROVED BY KIRBY REFRIGERATION
THIS PRINT IS ON LOAN ONLY AND MUST NOT BE USED IN ANY MANNER DETRIMENTAL TO THE INTERESTS OF KIRBY REFRIGERATION

UNLESS OTHERWISE SPECIFIED
1. PROJECTION (3rd ANGLE)
2. DIMENSIONS IN MILLIMETRES.
3. DO NOT SCALE
4. REMOVE BURRS AND SHARP CORNERS

GENERAL TOLERANCES
WHOLE NUMBERS
1 DECIMAL PLACE
2 DECIMAL PLACES
ANGLES and SQUARENESS

CUSTOMER ACTRON AIR 1020-001	
DRAWN A.S.	FINISH REFER TABLE
CHECKED AK	PART No. REFER TABLE
APPROVED	SUPERSEDES 44279W
DATE 17.01.00	NEXT ASSY. FINAL

KIRBY REFRIGERATION A Division of Jones N. Kirby Pty. Limited. 286 HORSLEY RD, MILPERRA NSW AUSTRALIA LOCKED BAG 24 MILPERRA NSW 1891 A.C.N. 000 056 717	
TITLE COIL EVAPORATOR 2R 30TH 830FL	
SCALE A2 1:4	DRG.No. 21011 SHEET 1 OF 2